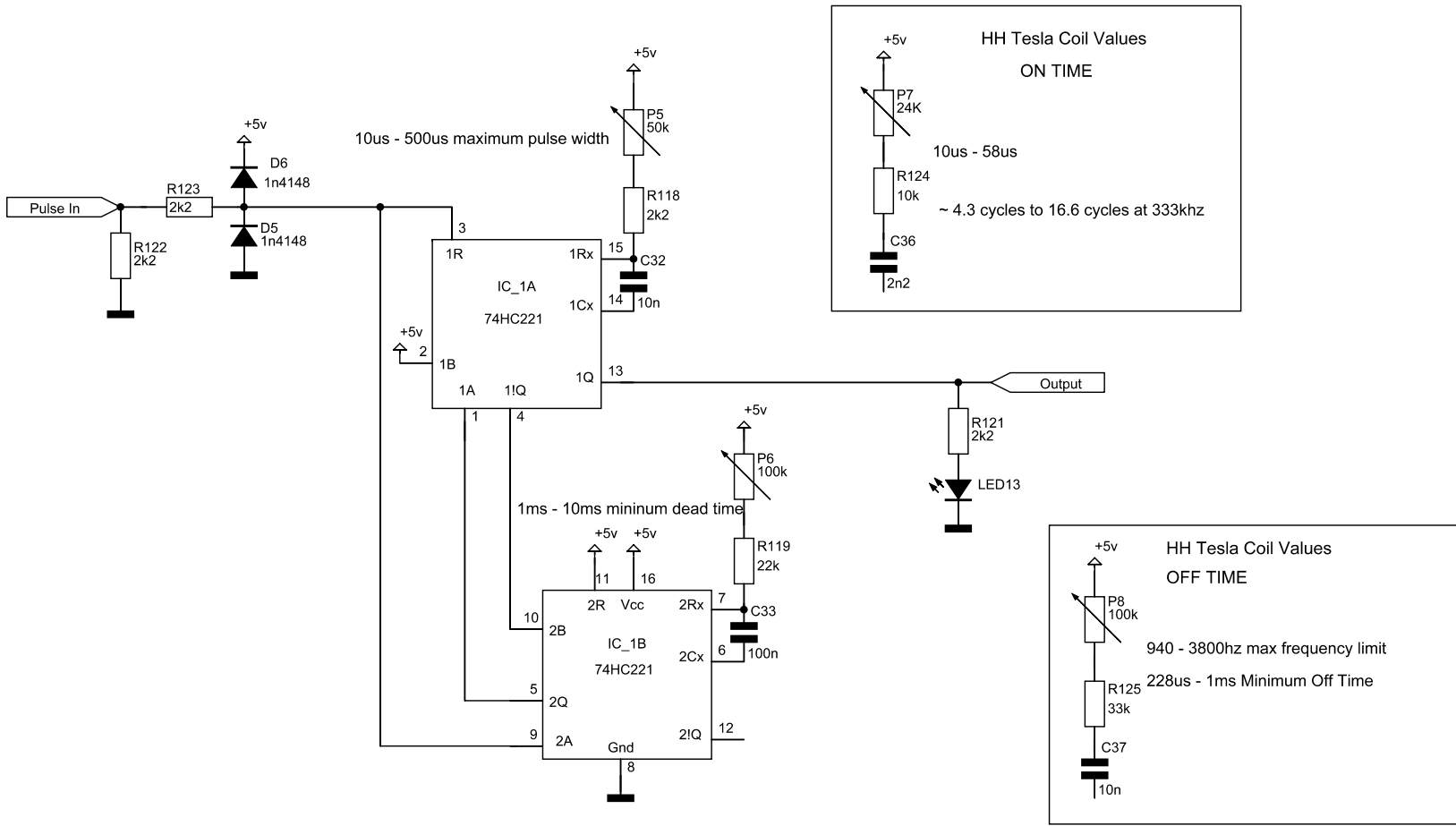


Modifications		Date	Name	Description	Page no.
Date	Name	06-12-28	Created	Audio Interrupter	
		08-10-24	Mod		Pages
				Schematic no.	
				<i>Chester Lowrey</i>	

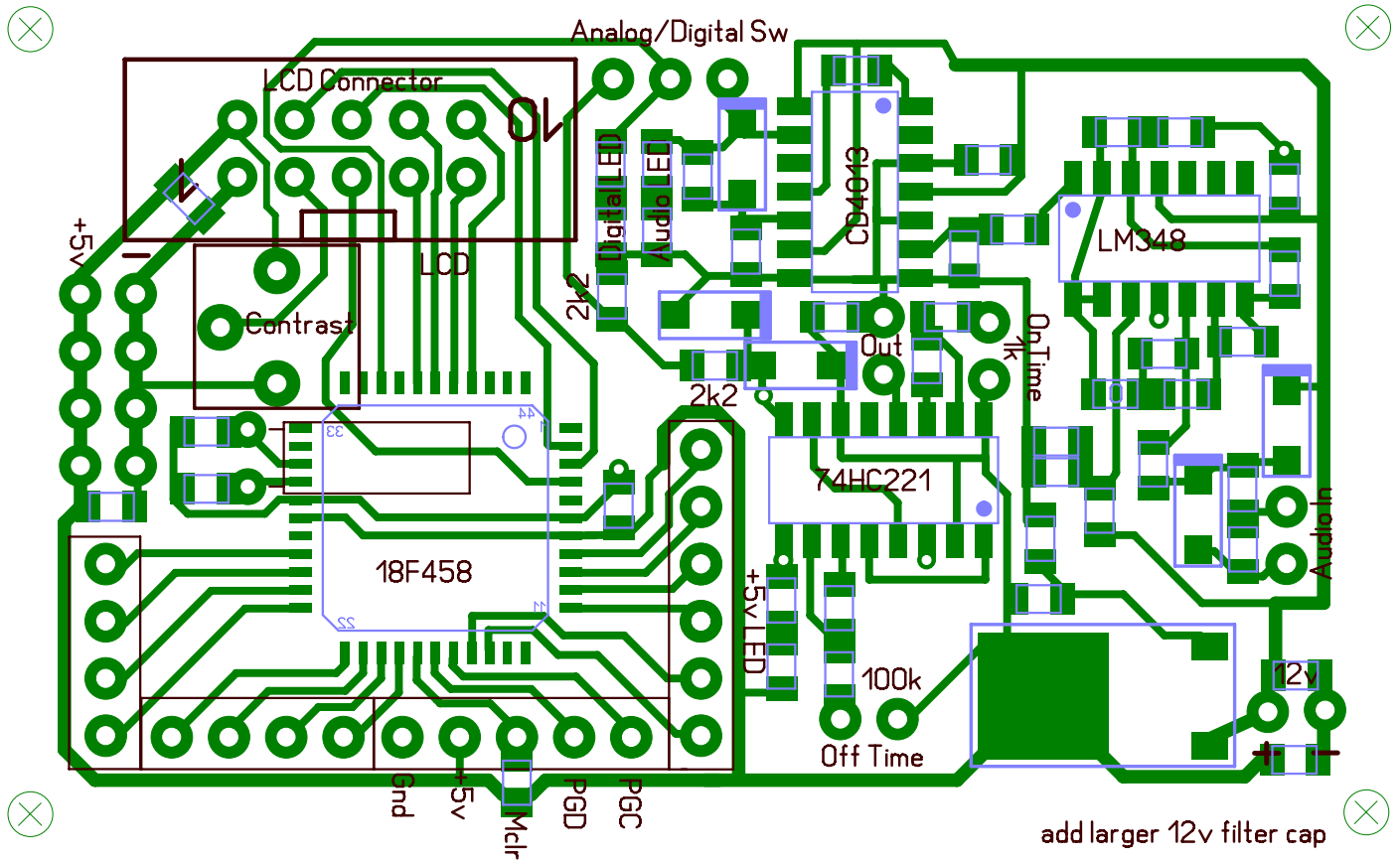


Modifications		Date	Name	Description	Page no.
Date	Name			TC Pulse Width Limiter	
					Pages
				Schematic no.	
<i>Chester Lowrey</i>					

Bottom Layer with Silkscreen

FOR REFERENCE

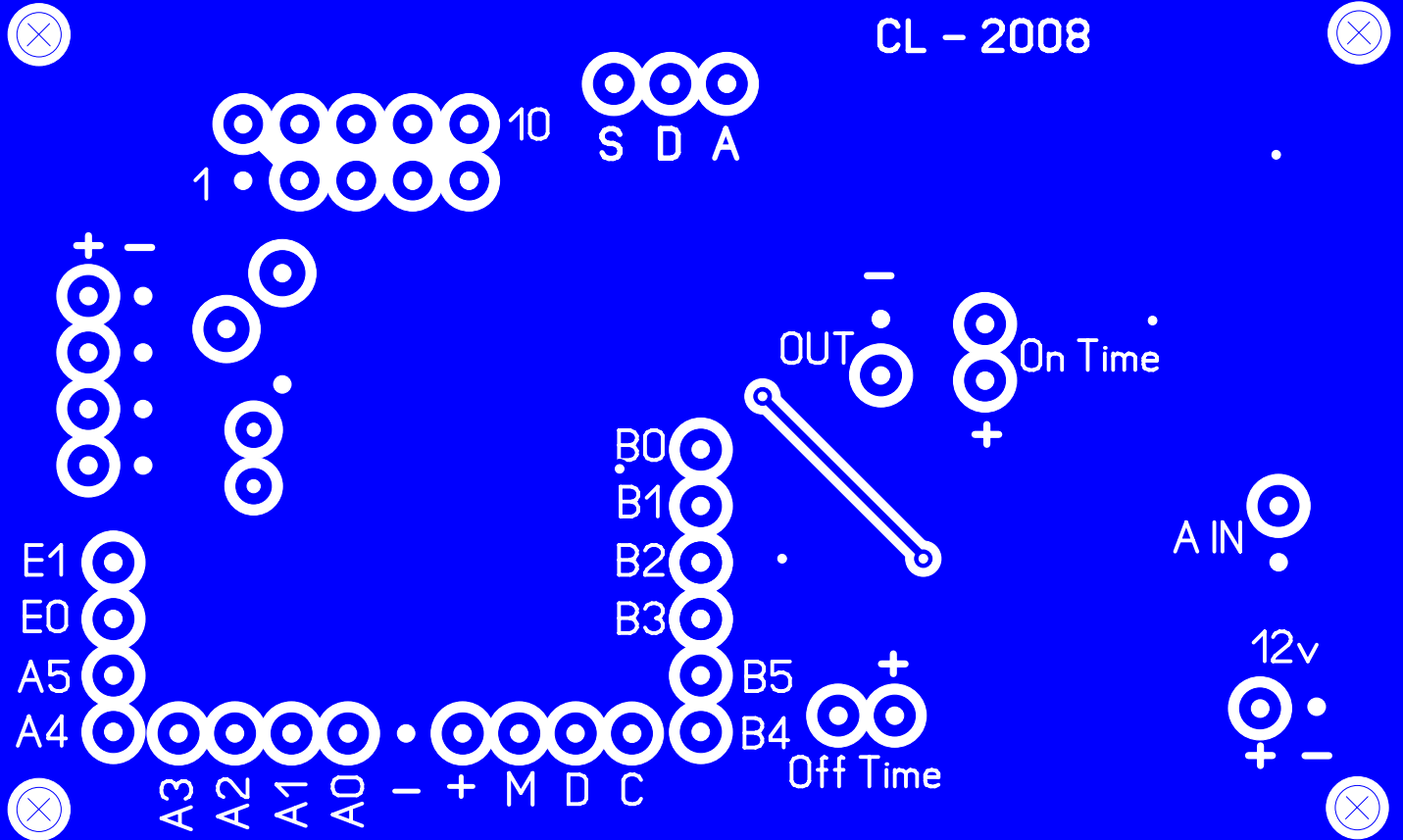
Dont forget that the SMD parts are on the bottom layer which changes their apparent pin orientation



Top Ground Layer

FOR REFERENCE

CL - 2008



This can be printed and etched directly with a laser printer

BOTTOM COPPER

